

Loaded with a Winning Combination of Features



WM97+
Water
Sealed Combustion
NAT'L or LP
MBH: 70 & 110

- 70,000 & 110,000 BTU input models, both at 97% AFUE rating
- Stylish, compact wall mount design for easy installation, service and maintenance
- Unique condensing stainless steel fire tube heat exchanger design
- Built in boiler circulator
- Built in primary/secondary piping option
- Built in low water cutoff and built in expansion tank
- Pre-wired terminal strip for quick and easy electrical connections
- Convenient indirect-fired water heater connection
- Capable to vent with PVC, PP and SS up to 100'
- Multi-color LCD display with text – no codes
- **3 Zone** circulator control with optional domestic hot water priority
- 5 to 1 turndown ratio capability
- Easy conversion to Propane – kit included
- Water treatment – kit included
- Vent termination – kit included



Mobile Product
Library



WEIL-McLAIN

www.weil-mclain.com

WM97+

**Go Green &
Save Green
On Your Fuel Bills**



A perfect combination of design, style and efficiency...

Save time and hundreds of dollars on installation with an array of built-in features

- Internal selectable primary/secondary piping with system circulator
- Built-in expansion tank, low water cutoff, and indirect-fired water heater connections
- Three thermostat inputs and circulator outputs with selectable priority eliminates need, and costs, of zone or priority control relays
- Easy, worry-free installation...we did the work, so you won't have to

Easy-to-use customizable control with LCD display

- Large LCD display makes programming and navigation simple
- Simple button navigation and menu layout
- Customizable settings for central heat and domestic hot water modes

Designed for easy maintenance and service of common parts

- Quick disconnect clips for fast and easy service of the gas valve, blower, heat exchanger, and control module
- Our boiler control module can adjust the speed of the circulator so a common single speed circulator can be used for quick replacement



Benefits that conserve...

- Exceeds Energy Star requirements with efficiency at 97%
- Eligible for Energy Star and Utility rebate programs - check your local area for details and current rebate amounts.
- Lower emission levels than most boilers



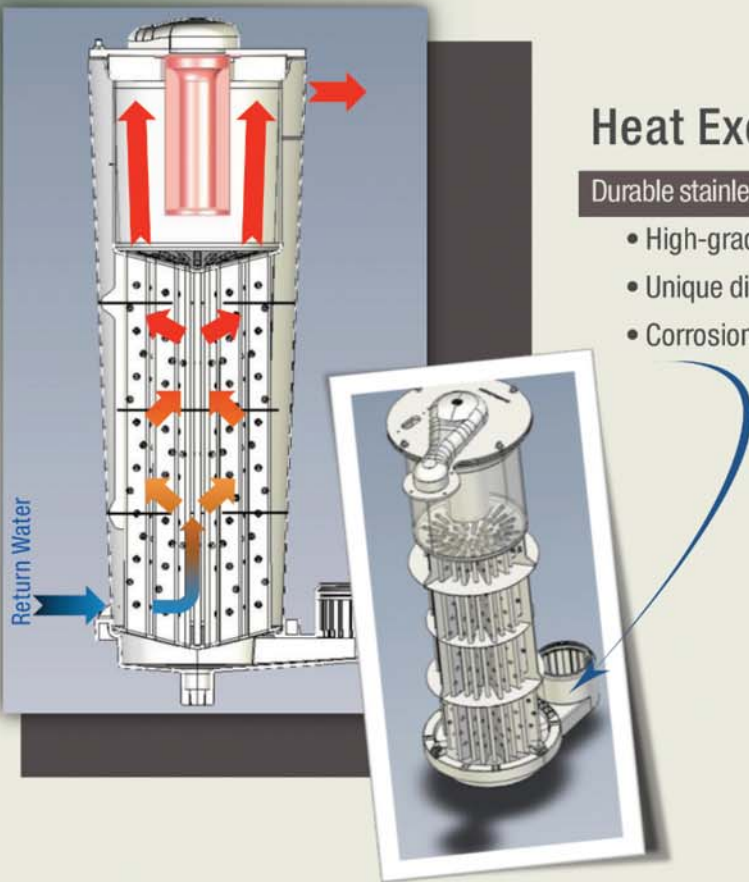
... our WM97+ wall mount boiler makes it easy to go green



Heat Exchanger...

Durable stainless steel fire tube heat exchanger

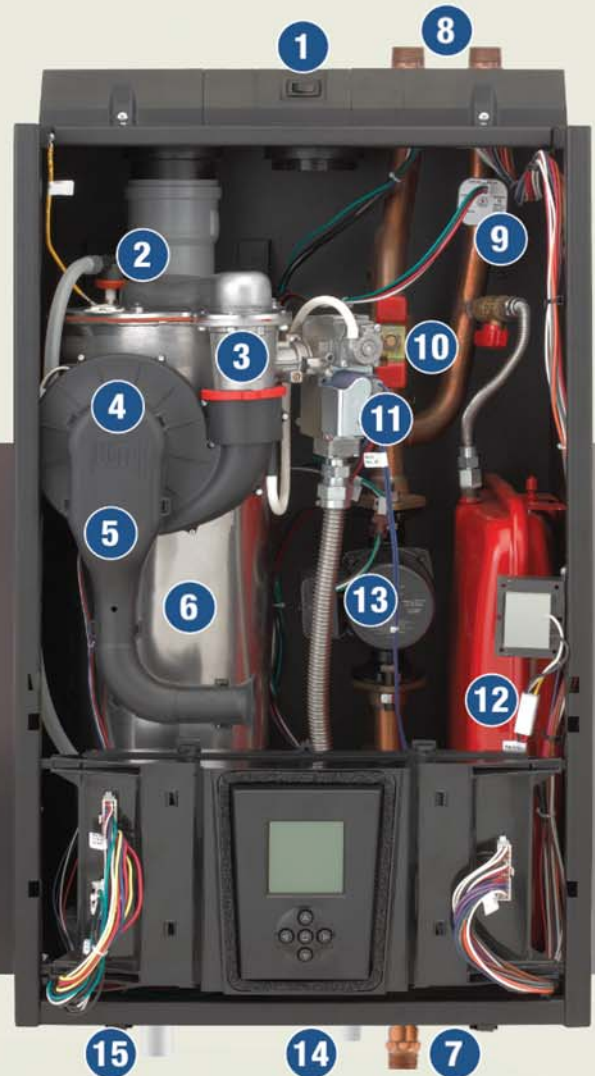
- High-grade stainless steel design with low pressure drop
- Unique dimple tube design achieves efficiencies up to 97.3% AFUE
- Corrosion resistant polypropylene condensate collector base



WM97+ components

Designed to optimize operation resulting in significant fuel savings.

- | | |
|-------------------------------------|--|
| ① Service Switch | ⑧ Water Connections for System Heating |
| ② Ignition Electrode / Flame Sensor | ⑨ Low Water Cutoff |
| ③ Venturi | ⑩ Primary/Secondary Shut-Off Valve |
| ④ Blower | ⑪ Gas Valve w/ Flex Piping |
| ⑤ Air Inlet Silencer | ⑫ Expansion Tank |
| ⑥ Stainless Steel Heat Exchanger | ⑬ Boiler Circulator |
| ⑦ DHW Tank Piping Connections | ⑭ Gas Pipe Connection |
| | ⑮ Condensate Connection |



Why Weil-McLain...

- Full product line to satisfy every application
- Every residential gas boiler is hydrostatically tested to ASME standards and test fired
- Backed by Weil-McLain quality and a warranty that provides peace of mind
- Unrivaled technical and field sales support
- Over a 130 year proud history and North America's leading boiler manufacturer

The New WM97+

 **WEIL-McLAIN**
www.weil-mclain.com

WM97+



DOE



Ratings

Model*	Input MBH		DOE Heating Capacity MBH	Net I=B=R Water Ratings MBH	DOE Seasonal Efficiency AFUE %	Vent Diameter Inches	Vent Material	Boiler Water Content Gal.
	Max	Min						
WM97+ 70	70	23	65	57	97.3	3	PVC, CPVC, PP, SS	2.8
WM97+ 110	110	37	101	88	97.0	3	PVC, CPVC, PP, SS	2.8

Notes:
* Natural gas field convertible to LP as standard equipment

Dimensions

Model	Supply Tapping In.	Return Tapping In.	Gas Connection Size Inches	Minimum Recommended Pipe Size In.	Approx. Shipping Weight (Lbs)
WM97+ 70	1	1	1/2	1	136
WM97+ 110	1	1	1/2	1	136

Standard Equipment

Boiler

- 30 PSI ASME relief valve
- Drain valve
- Stainless steel burner with woven steel fiber mesh
- Direct spark ignition
- Variable speed blower assembly
- Venturi mixing system with air silencer
- Negative pressure regulated gas valve
- 50 VA Transformer
- Dual scale temp. & pressure gauge
- Outlet water temp. sensor
- Inlet water temp. sensor
- Flue gas temp. sensor
- Outdoor temp. sensor
- Built in primary/secondary piping option
- Built in expansion tank
- Indirect-fired water heater connections
- Water treatment – inhibitor & test kit
- Low water cutoff with manual reset & test button

Control Module

- 3.5" LCD display
- Three-zone circulator control with optional domestic hot water priority
- Pre-wired Terminal blocks
- Alarm control functionality
- Ignition Control
- High limit & modulating temp. control
- Outdoor Reset

Internal Boiler Circulator*

- 1" flanges Taco 007 (70)
- 1" flanges Taco 0015 (110)

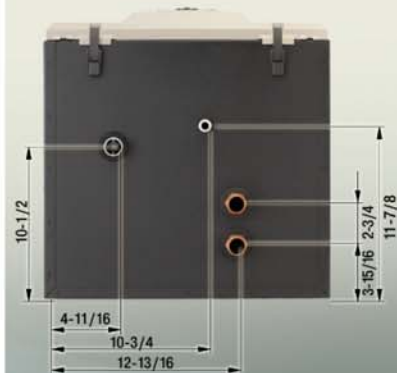
Complete Jacket Assembly with

- Fully removable jacket front
- Mounting bracket
- Sidewall vent/air termination kit**
- On/Off power switch
- Condensate trap
- Propane conversion orifice

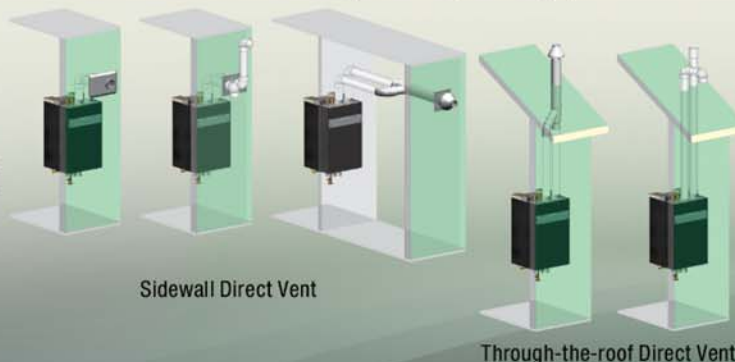
Additional Equipment

- Concentric vent kit
- Condensate neutralizer kit

*Circulator supplied with boiler cannot be removed and cannot be used as a zone circulator in multiple zone systems.
** Includes inside and outside plates, vent cap and hardware.



Installation Flexibility with Multiple Venting Options



Sidewall Direct Vent

Through-the-roof Direct Vent

In the interest of continual improvements in product and performance, Weil-McLain reserves the right to change specifications without notice.

